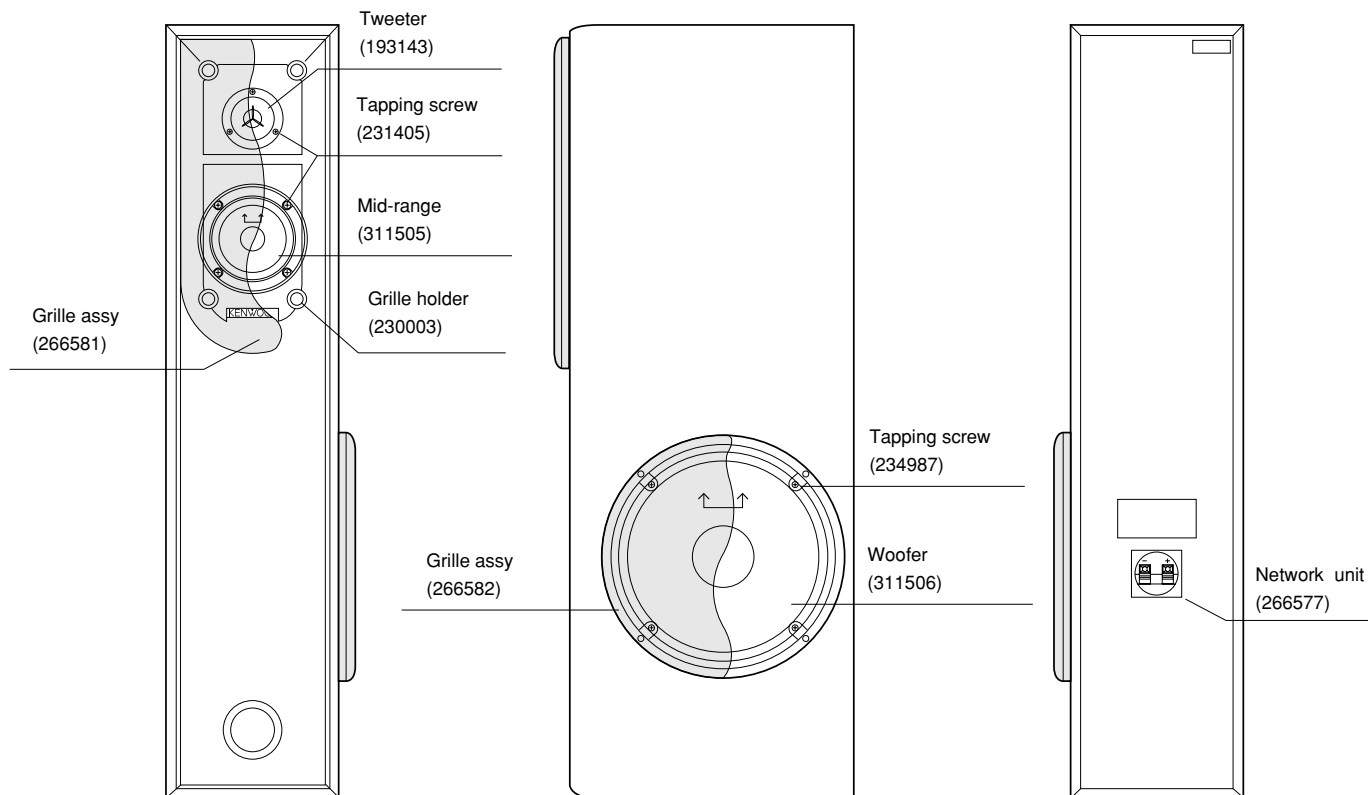


# JL-558

## SERVICE MANUAL

### EXTERNAL VIEW



**Note:** Please contact to KENWOOD SERVICE CORPORATION California 90810, U.S.A. If any question on service parts.

**Note:** Please contact to KENWOOD ELECTRONICS CANADA INC. Ontario, Canada L5T 1S8 If any question on service parts.

### SPECIFICATIONS

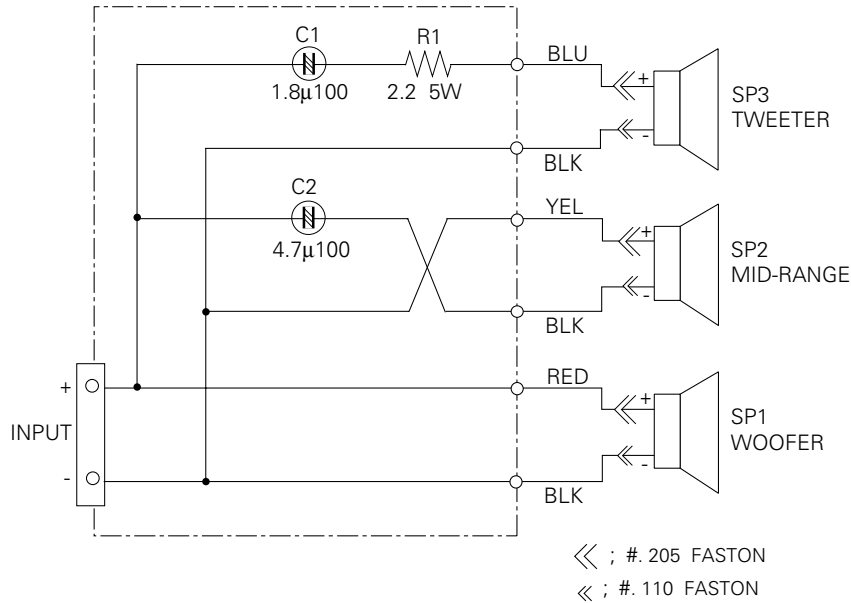
<b>Enclosure</b> .....	Bass-reflex type (magnetically shielded)
<b>Woofers</b> .....	250 mm, cone type
<b>Mid range</b> .....	100 mm, cone type
<b>Tweeter</b> .....	13 mm, dome type
<b>Impedance</b> .....	8 Ω
<b>Maximum input level</b> .....	100 W
<b>Dimensions</b> .....	W: 203mm (8")
	H: 900mm (35-5/16")
	D: 327mm (12-7/8")
<b>Net Weight</b> .....	13.4kg (29.5 lb / piece)

**Note:** \_\_\_\_\_  
 KENWOOD follows a policy of continuous advancements in development.  
 For this reason specifications may be changed without notice.

# JL-558

## NETWORK /PARTS LIST

### DIVIDING NETWORK UNIT



### PARTS LIST

\* New Parts

Parts without **Parts No.** are not supplied.

Les articles non mentionnes dans le **Parts No.** ne sont pas fournis.

Teile ohne **Parts No.** werden nicht geliefert.

Ref. No.	Address	New Parts	Parts No.	Description	Destination	Remarks
<b>JL-558</b>						
-		*	266581	GRILLE ASSY (FRONT)		
-		*	266582	GRILLE ASSY (SIDE)		
-		*	234806	SPEAKER CORD		
-		*	231821	POLYSTYRENE FOAMED FIXTURE		
-		*	266583	CARTON BOARD		
-		*	266584	PROTECTION BAG		
-		*	266585	ITEM CARTON CASE		
-		*	230003	GRILLE HOLDER		
SP1		*	311506	WOOFER		
SP2		*	311505	MID-RANGE		
SP3		*	193143	TWEETER		
-		*	266577	DIVIDING NETWORK UNIT		

L: Scandinavia

K: USA

P: Canada

R: Mexico

C: China

I: Malaysia

Y: PX(For East Hawaii)

T: England

E: Europe

G: Germany

V: China(Shanghai)

Y: AAFES(Europe)

X: Australia

Q: Russia

H: Korea

M: Other Areas

⚠ indicates safety critical components.